

PG400SF

Reservdelar

Spare parts

Ersatzteile

Pieces de rechange

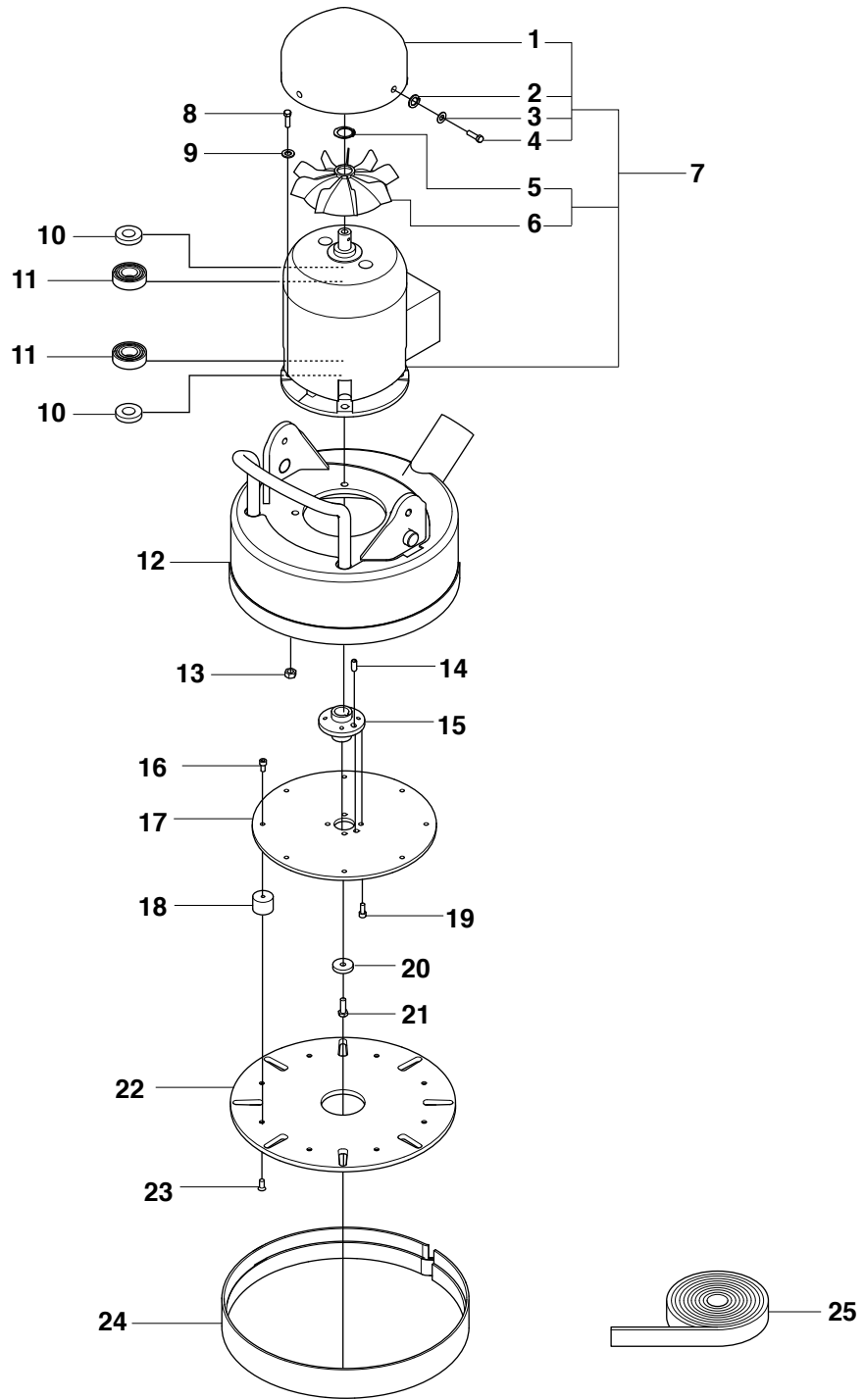
Piezas de repuesto

Ricambi

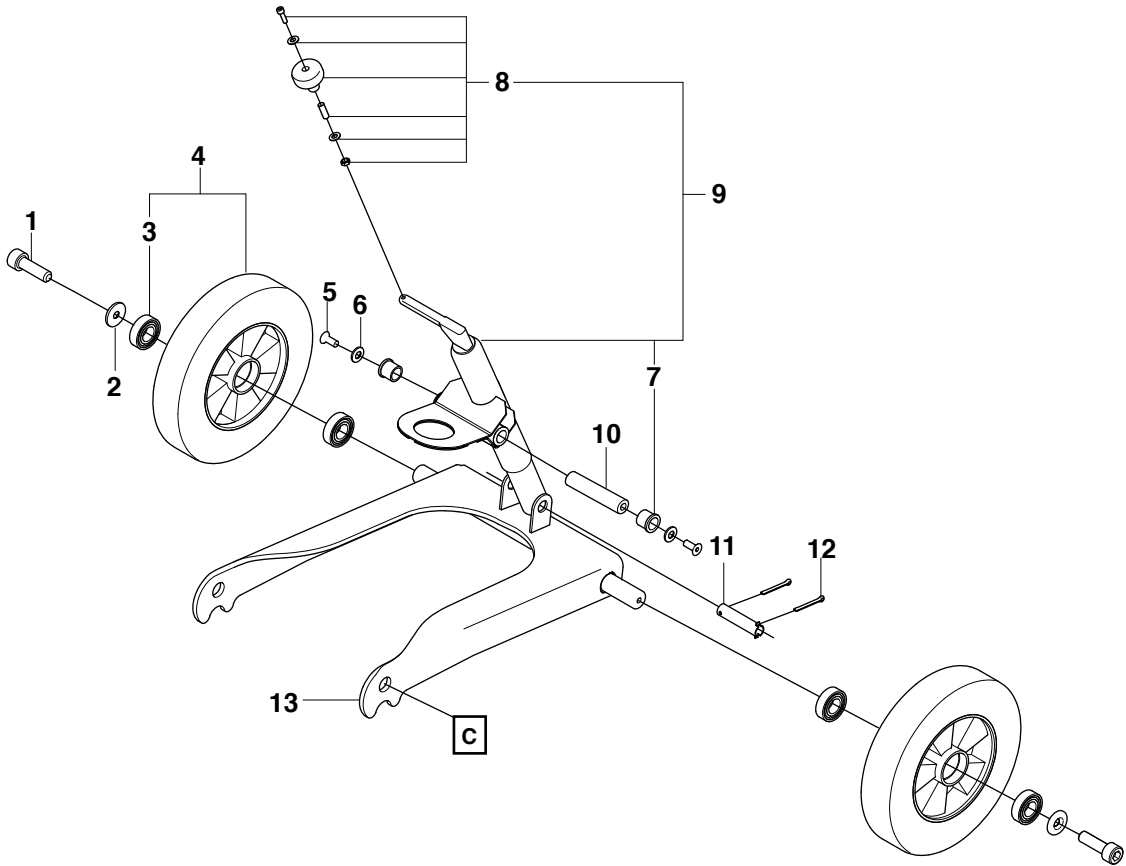
Peças sobresselente

No.	Pos.	Description	No.	Pos.	Description
502 54 50-01	B	Wheel	574 70 32-02	B	Adjusting screw
510 21 31-01	A	Rubber damper	575 39 51-01	B	Washer
510 21 33-01	A	Hub	576 01 38-01	C	Screw
510 21 57-01	B	Locking pin	576 14 97-01	B	Chassis
510 21 75-01	B	Bushing	576 23 50-01	A	Motor kit US
510 22 78-01	C	Rubber damper	721 44 09-01	A	Pin
510 22 81-01	D	Cover	721 62 16-01	B	Cotter pin
510 22 82-01	C	Locking handle	725 23 25-77	A	Screw
510 22 88-01	C	Frame, handle	725 23 29-71	E	Screw
510 22 93-01	C	Bracket, handle	725 23 37-71	E	Screw
510 22 94-01	C	Handle, incl hose	725 23 64-71	E	Screw
510 22 96-01	C	Spacer, handle	725 23 66-71	E	Screw
510 23 22-01	A	Motor kit EU	725 24 49-71	C	Screw
510 23 43-01	A	Attachment plate	725 24 93-76	B	Screw
510 23 51-01	A	Washer	725 24 95-71	A	Screw
510 23 76-01	C	Arm, right	725 25 00-81	C	Screw
510 23 81-01	C	Arm, left	725 25 11-51	C	Screw
510 23 90-01	B	Shaft, pivot	725 52 93-01	E	Screw
510 23 92-01	C	Fork, right	725 53 25-01	E	Screw
510 23 93-01	C	Fork, left	725 53 64-55	E	Screw
510 23 94-01	C	Hose clip	725 53 70-51	B	Screw
510 24 09-01	C	Screw	725 54 51-55	A	Screw
510 24 48-01	C	Locking handle	725 55 00-55	C	Screw
510 36 16-01	C	Screw	725 64 47-55	A	Screw
510 43 08-01	E	Contacteur EU,AUS,US (480V)	725 64 49-55	A	Screw
510 43 09-01	E	Contacteur US (230V)	725 64 93-55	C	Screw
510 43 11-01	E	Push button, red	731 23 14-01	E	Nut
510 43 12-01	E	Push button, green	731 23 16-01	E	Nut
510 43 13-01	E	Emergency stop button	731 23 22-01	A	Nut
510 43 14-01	E	Contact plate	732 25 12-01	E	Nut
510 43 15-01	E	Contact plate	732 25 14-01	E	Nut
510 43 16-01	E	Warning sign	732 25 20-01	C	Nut
510 43 17-01	E	Strain reliever	734 11 36-01	E	Washer
510 43 18-01	E	Nut, counternut	734 11 52-01	E	Washer
510 43 30-01	E	Sign holder	734 11 72-01	B C	Washer
510 43 31-01	E	Stop sign	734 11 80-41	A	Washer
510 43 32-01	E	Start sign	735 21 53-01	E	Washer
510 43 43-01	E	Overload protection EU,AUS,US (480V)	735 31 28-00	A	Circlip
510 43 43-02	E	Overload protection US (230 V)	738 22 05-17	B	Bearing
510 43 48-01	E	LED	738 23 06-44	A	Bearing
516 06 21-01	E	Lock	740 68 16-21	A	V-ring
516 06 23-01	E	Resistor EU,AUS,US (480V)			
516 06 24-01	E	Sheet			
516 06 29-01	E	Washer			
516 06 30-01	E	Lid			
516 06 31-01	E	Connection plate			
516 06 33-01	E	Terminal block			
521 88 48-01	E	Box			
521 88 50-01	E	Cable grommet			
522 46 40-01	A	Lock washer			
522 46 42-01	A	Washer			
522 48 66-01	A	Cover, fan			
522 48 69-01	A	Fan			
522 48 72-02	C	Spacer, counterweight			
522 67 74-01	A	Holder disc			
525 55 51-01	A	Velcro			
525 60 12-01	A	Screw			
525 63 81-01	E	Fuse			
525 63 82-01	E	E-box			
525 88 26-01	E	Fuse holder			
529 31 61-01	E	Cable, incl plug EU 400V			
530 31 61-02	E	Cable, incl plug US 230V			
531 11 95-36	E	Allen key			
531 31 61-03	E	Cable, incl plug US 480V			
574 27 20-02	A	Rubber skirt			
574 52 41-01	E	Adapter, Australia			
574 55 55-02	C	Kit, counterweight			
574 56 89-01	B	Kit, adjusting screw handle			
574 70 31-02	A	Motor bracket			

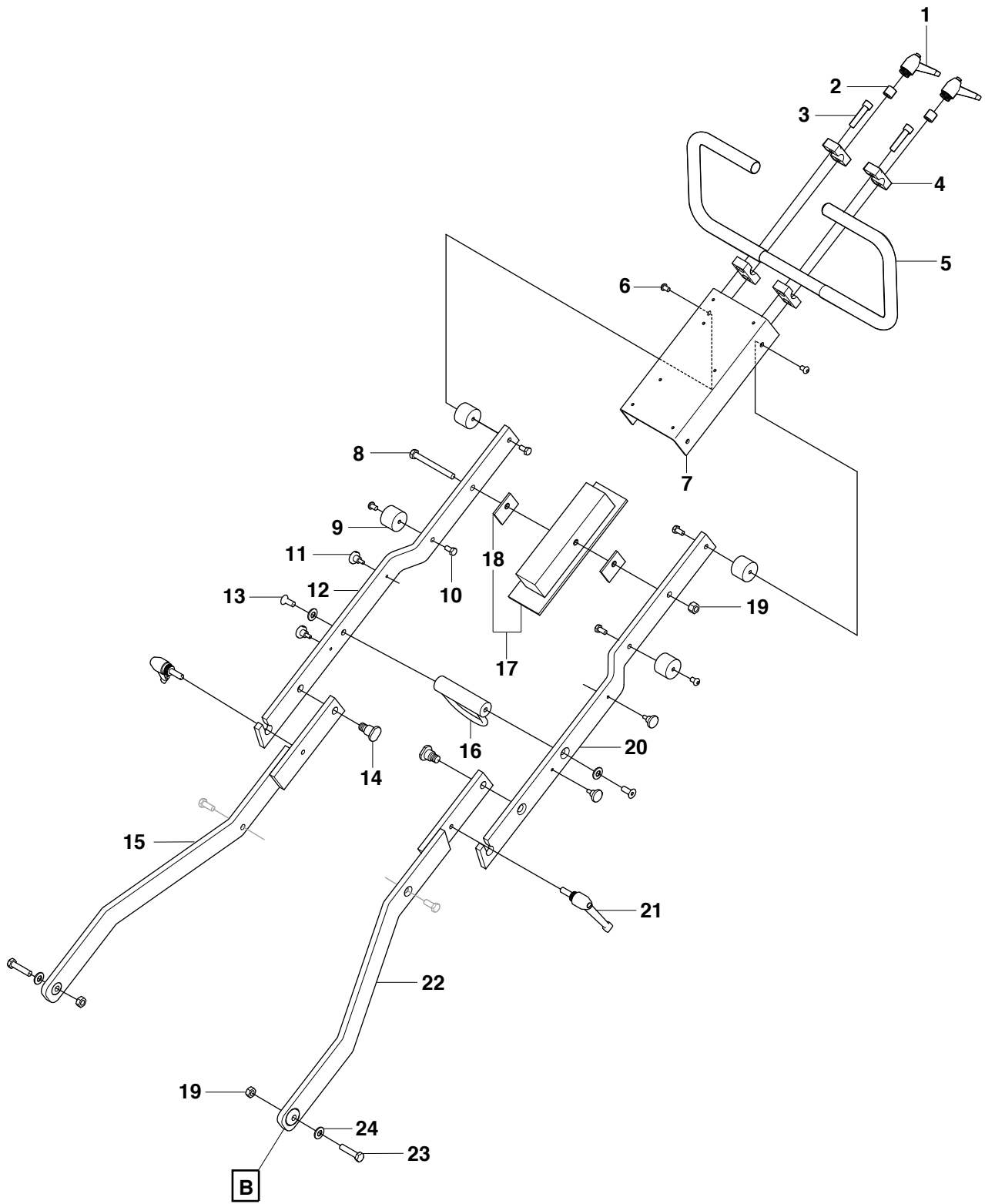
A PG400



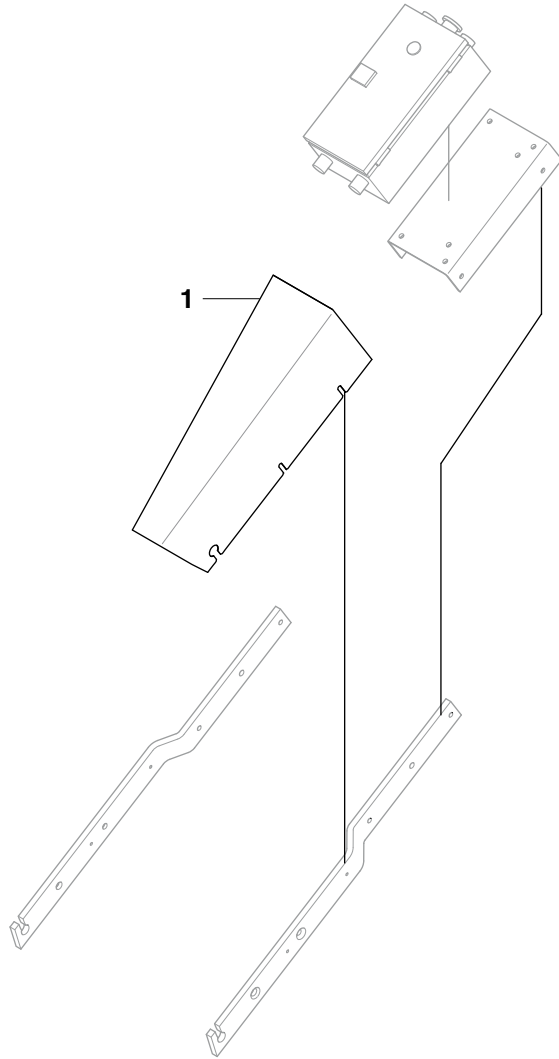
Position #	Article #	Quantity	Name	Kit
1	522 48 66-01	1	Cover, fan	7
2	522 46 40-01	4	Lock washer	7
3	522 46 42-01	4	Washer	7
4	725 23 25-77	4	Screw	7
5	735 31 28-00	1	Circlip	7
6	522 48 69-01	1	Fan	7
7a	510 23 22-01	1	Motor kit EU	
7b	576 23 50-01	1	Motor kit US	
8	525 60 12-01	4	Screw	
9	734 11 80-41	4	Washer	
10	740 68 16-21	2	V-ring	7
11	738 23 06-44	2	Bearing	7
12	574 70 31-02	1	Motor bracket	
13	731 23 22-01	4	Nut	
14	721 44 09-01	1	Pin	
15	510 21 33-01	1	Hub	
16	725 64 47-55	8	Screw	
17	510 23 43-01	1	Attachment plate	
18	510 21 31-01	8	Rubber damper	
19	725 54 51-55	4	Screw	
20	510 23 51-01	1	Washer	
21	725 24 95-71	1	Screw	
22	522 67 74-01	1	Holder disc	
23	725 64 49-55	8	Screw	
24	574 27 20-02	1	Rubber skirt	
25	525 55 51-01	1	Velcro	



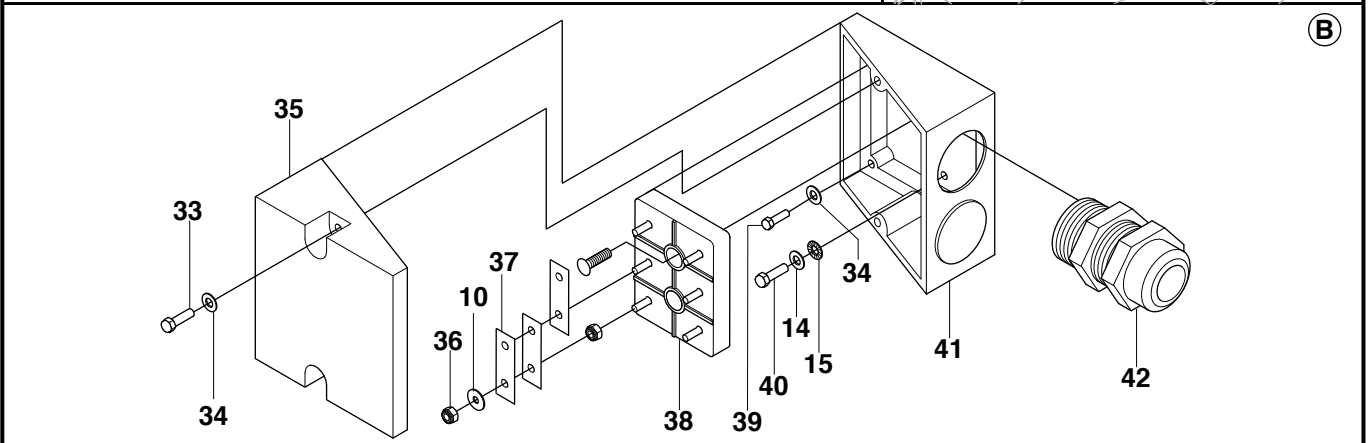
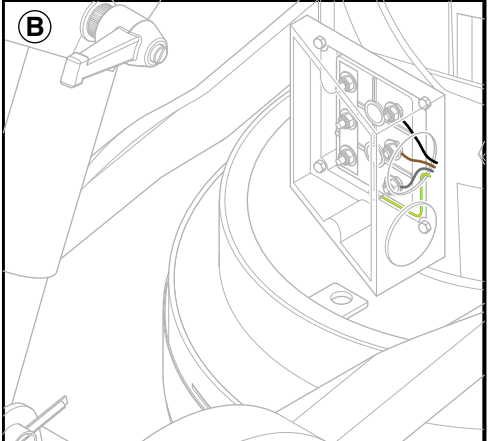
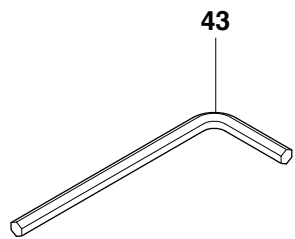
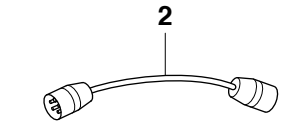
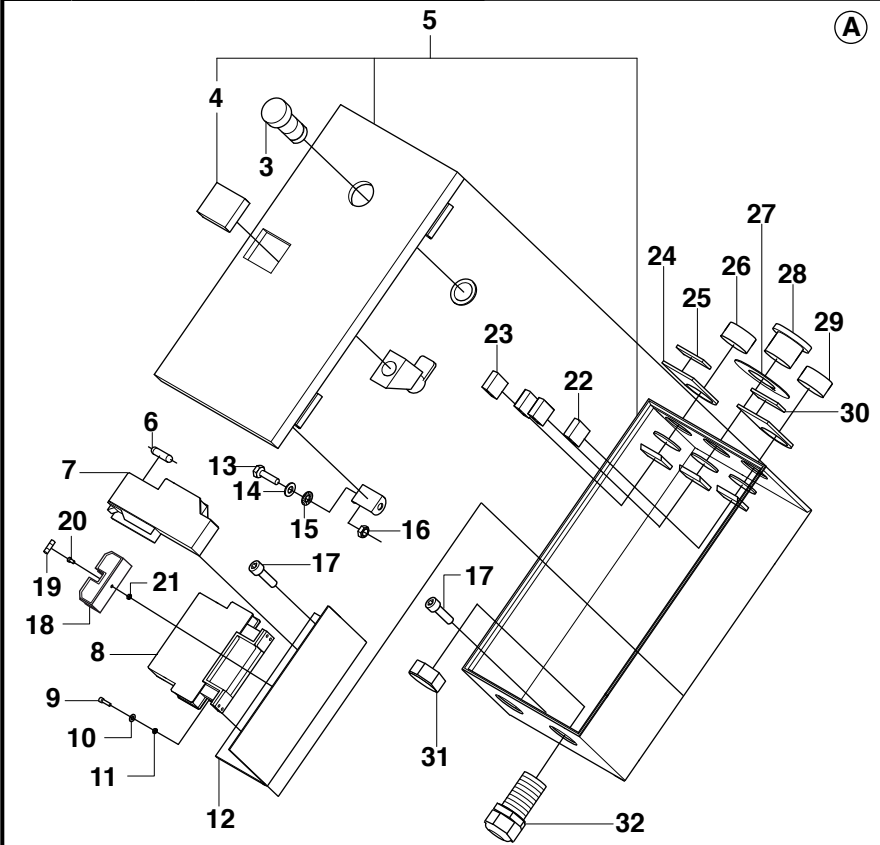
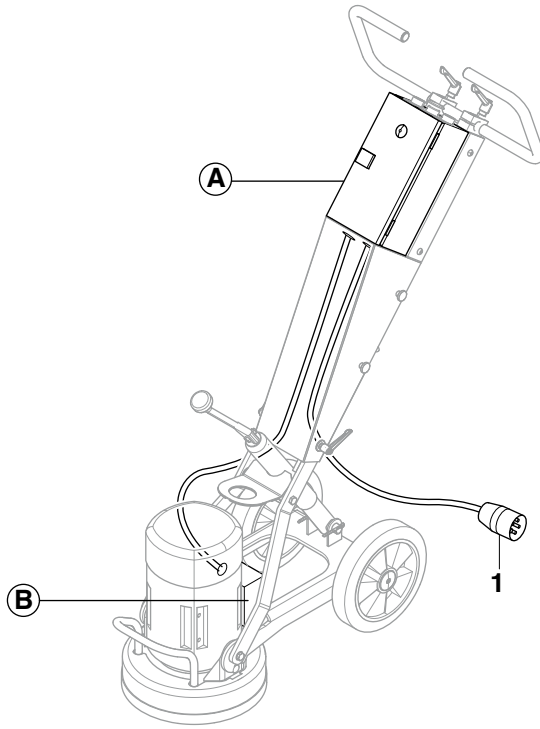
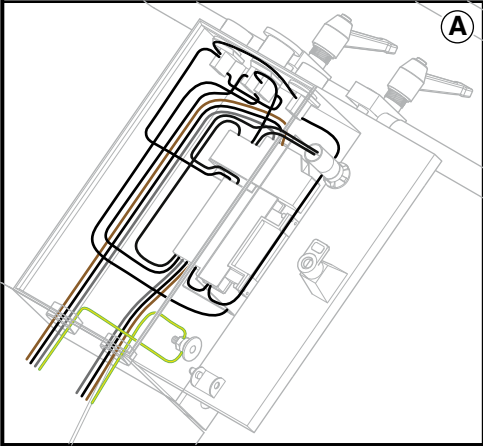
Position #	Article #	Quantity	Name	Kit
1	725 53 70-51	2	Screw	
2	575 39 51-01	2	Washer	
3	738 22 05-17	4	Bearing	4
4	502 54 50-01	2	Wheel	
5	725 24 93-76	2	Screw	
6	734 11 72-01	2	Washer	
7	510 21 75-01	2	Bushing	9
8	574 56 89-01	1	Kit, adjusting screw handle	9
9	574 70 32-02	1	Adjusting screw	
10	510 23 90-01	1	Shaft, pivot	
11	510 21 57-01	1	Locking pin	
12	721 62 16-01	2	Cotter pin	
13	576 14 97-01	1	Chassis	



Position #	Article #	Quantity	Name	Kit
1	510 24 48-01	2	Locking handle	
2	510 22 96-01	2	Spacer, handle	
3	725 55 00-55	2	Screw	
4	510 22 93-01	4	Bracket, handle	
5	510 22 94-01	1	Handle, incl hose	
6	576 01 38-01	4	Screw	
7	510 22 88-01	1	Frame, handle	
8	725 25 11-51	1	Screw	
9	510 22 78-01	4	Rubber damper	
10	725 24 49-71	4	Screw	
11	510 36 16-01	4	Screw	
12	510 23 92-01	1	Fork, right	
13	725 64 93-55	2	Screw	
14	510 24 09-01	2	Screw	
15	510 23 76-01	1	Arm, right	
16	510 23 94-01	1	Hose clip	
17	574 55 55-02	1	Kit, counterweight	
18	522 48 72-02	2	Spacer, counterweight	17
19	732 25 20-01	1	Nut	
20	510 23 93-01	1	Fork, left	
21	510 22 82-01	2	Locking handle	
22	510 23 81-01	1	Arm, left	
23	725 25 00-81	2	Screw	
24	734 11 72-01	4	Washer	



Position #	Article #	Quantity	Name	Kit
1	510 22 81-01	1	Cover	



Position #	Article #	Quantity	Name	Kit
1a	529 31 61-01	1	Cable, incl plug EU 400V	
1b	530 31 61-02	2	Cable, incl plug US 230V	
1c	531 31 61-03	3	Cable, incl plug US 480V	
2	574 52 41-01	1	Adapter, Australia	
3	510 43 48-01	1	LED	
4	516 06 21-01	1	Lock	5
5	525 63 82-01	1	E-box	
6	516 06 23-01	1	Resistor EU,AUS,US (480V)	
7a	510 43 43-01	1	Overload protection EU,AUS,US (480V)	
7b	510 43 43-02	1	Overload protection US (230 V)	
8a	510 43 08-01	1	Contacteur EU,AUS,US (480V)	
8b	510 43 09-01	1	Contacteur US (230V)	
9	725 52 93-01	4	Screw	
10	734 11 36-01	4	Washer	
11	732 25 12-01	4	Nut	
12	516 06 24-01	1	Sheet	
13	725 23 64-71	1	Screw	
14	734 11 52-01	2	Washer	
15	735 21 53-01	2	Washer	
16	731 23 16-01	2	Nut	
17	725 53 64-55	6	Screw	
18	525 88 26-01	1	Fuse holder	
19	525 63 81-01	2	Fuse	
20	725 53 25-01	1	Screw	
21	732 25 14-01	1	Nut	
22	510 43 15-01	1	Contact plate	
23	510 43 14-01	3	Contact plate	
24	510 43 30-01	2	Sign holder	
25	510 43 31-01	1	Stop sign	
26	510 43 11-01	1	Push button, red	
27	510 43 16-01	1	Warning sign	
28	510 43 13-01	1	Emergency stop button	
29	510 43 12-01	1	Push button, green	
30	510 43 32-01	1	Start sign	
31	510 43 18-01	2	Nut, counternut	
32	510 43 17-01	2	Strain reliever	
33	725 23 37-71	2	Screw	
34	516 06 29-01	2	Washer	
35	516 06 30-01	1	Lid	
36	731 23 14-01	12	Nut	
37	516 06 31-01	3	Connection plate	
38	516 06 33-01	1	Terminal block	
39	725 23 29-71	4	Screw	
40	725 23 66-71	1	Screw	
41	521 88 48-01	1	Box	
42	521 88 50-01	1	Cable grommet	
43	531 11 95-36	1	Allen key	